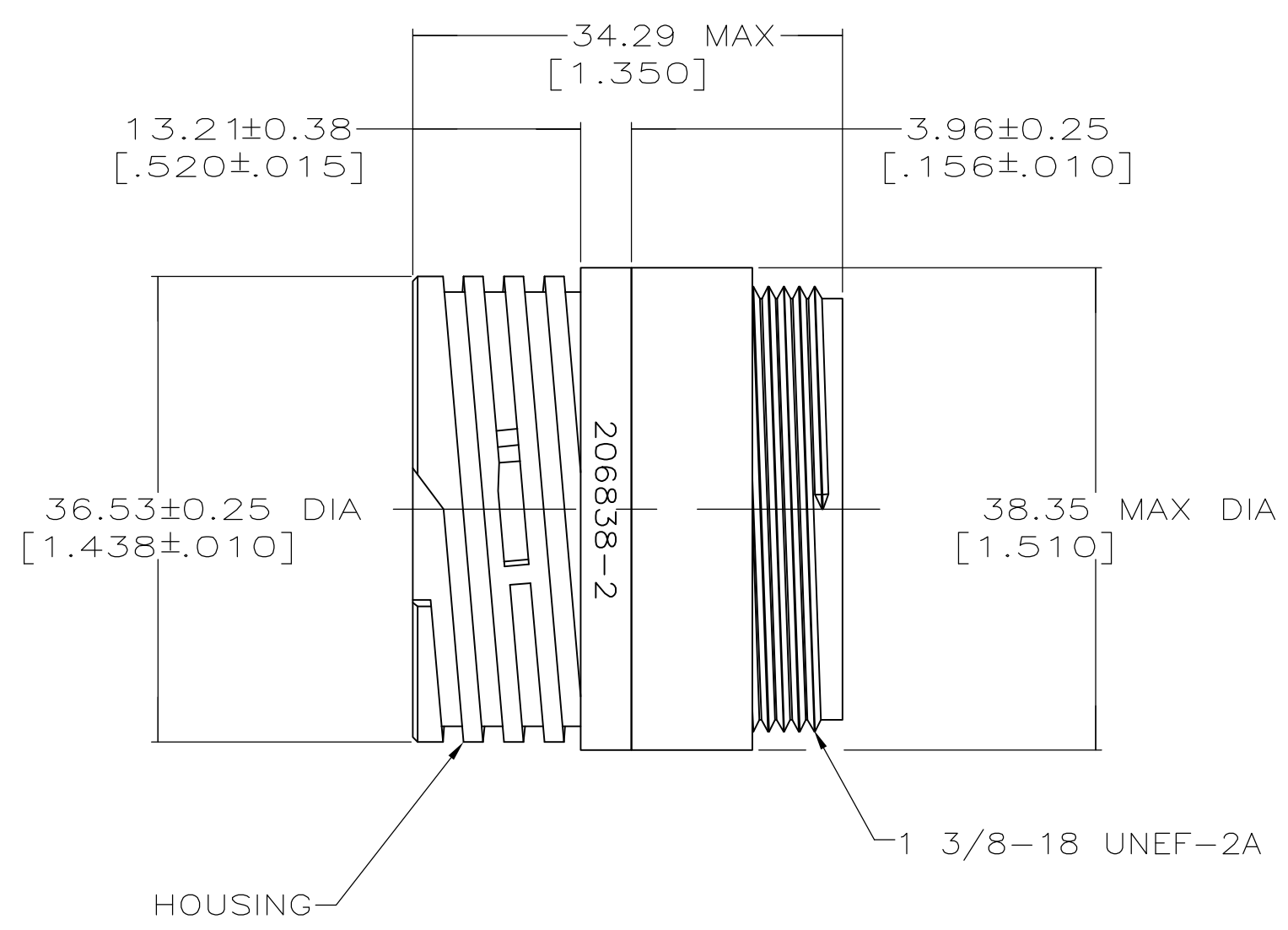
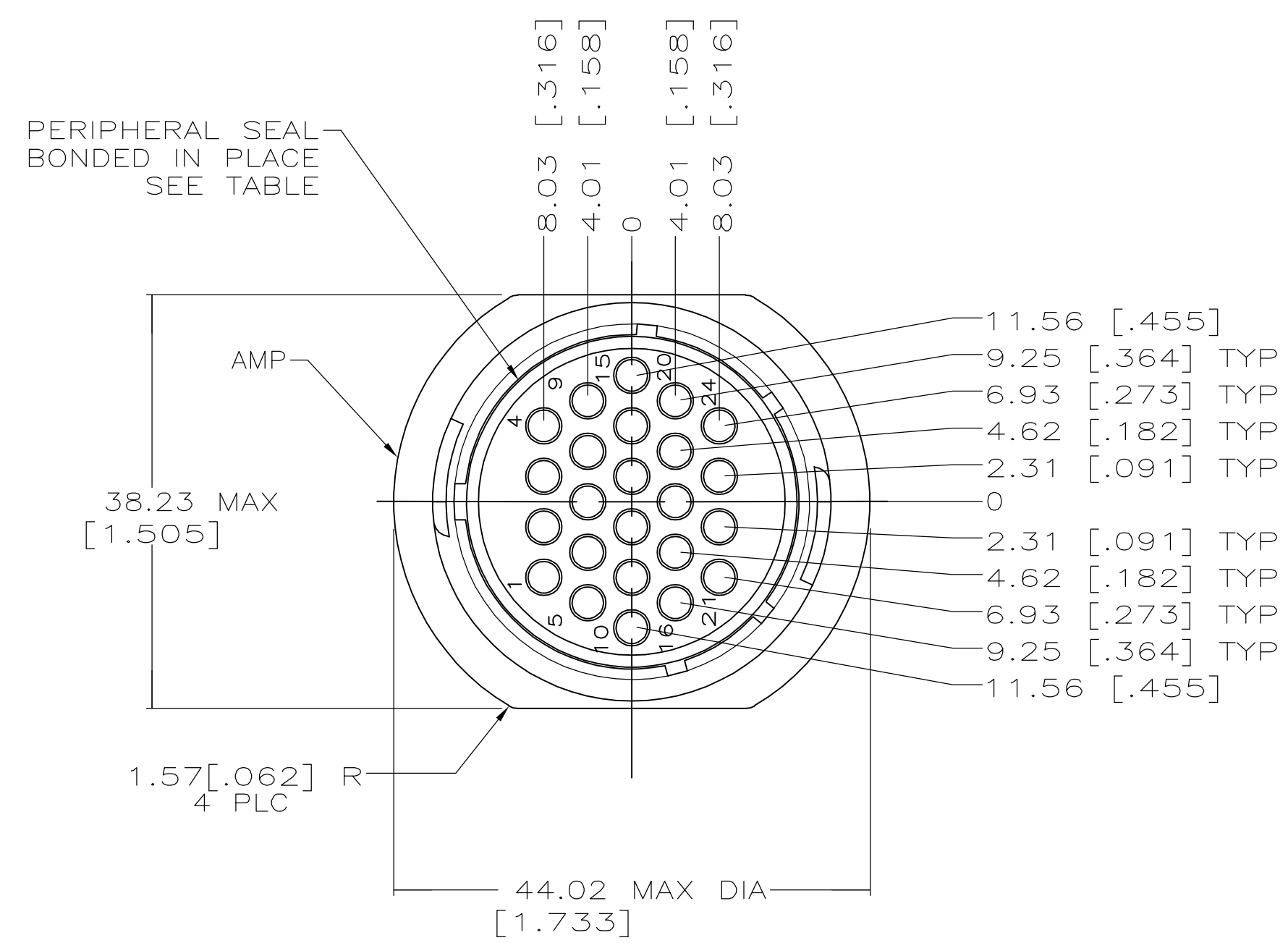


DETAIL A



DETAIL B

1. CAVITY IDENTIFICATION ON FRONT AND REAR FACE.
2. WILL ACCEPT (24) MULTIMATE PIN CONTACTS.
3. NO 4 FASTENER RECOMMENDED FOR MOUNTING.
4. MAXIMUM INSULATION NOT TO EXCEED .150 DIA.
5. WHITE DOT NEAR POSITION 1 ON WIRE ENTRY FACE.

STANDARD	YES	A	206838-8
STANDARD	YES	A	206838-7
SMALL PACK	NO	A	206838-5
STANDARD	YES	B	206838-4
STANDARD	YES	A	206838-3
STANDARD	NO	B	206838-2
STANDARD	NO	A	206838-1
PACKAGING	PERIPHERAL SEAL SEE DETAIL		PART NUMBER

THIS DRAWING IS A CONTROLLED DOCUMENT.		DWN D GELTZ 10/29/92	Tyco Electronics Corporation	
DIMENSIONS: mm [INCHES]		CHK R STONE 08/11/93	Harrisburg, PA 17105-3608	
TOLERANCES UNLESS OTHERWISE SPECIFIED:		NAME		
0 PLC ± -	1 PLC ± -	PRODUCT SPEC		
2 PLC ± 0.13 [.005]	3 PLC ± -	108-10024		
4 PLC ± -	ANGLES ± -	APPLICATION SPEC		
FINISH		SIZE	CAGE CODE	DRAWING NO
HOUSING: NYLON, BLACK		WEIGHT	A1 00779	©=206838
CUSTOMER DRAWING		SCALE	2:1	SHEET 1 OF 1 REV K1